

# ADAPTERS, IN-SERIES TYPE F

**DC - 3.0 GHz**  
**75 Ohm**



MODELS: 5230, 5231 & 5232

## SPECIFICATIONS:

### Electrical:

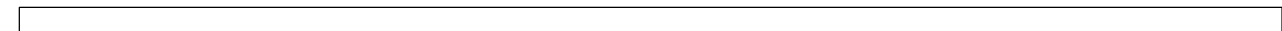
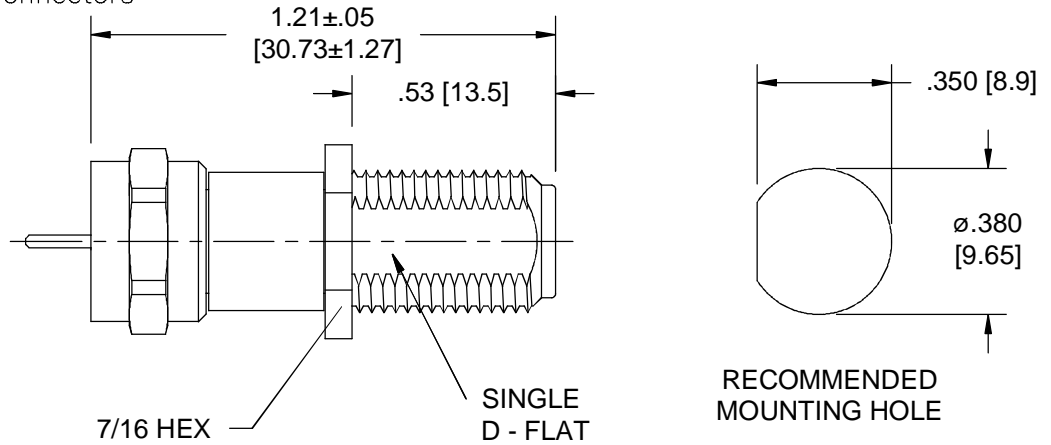
Frequency Range \_\_\_\_\_ DC - 3 GHz  
 VSWR  
 DC - 1 GHz \_\_\_\_\_ 1.15:1 Max.  
 1 - 2 GHz \_\_\_\_\_ 1.20:1 Max.  
 2 - 3 GHz \_\_\_\_\_ 1.30:1 Max.  
 Impedance \_\_\_\_\_ 75 Ohms  
 Operating Temp Range \_\_\_\_\_ -65°C to +125°C

### Mechanical:

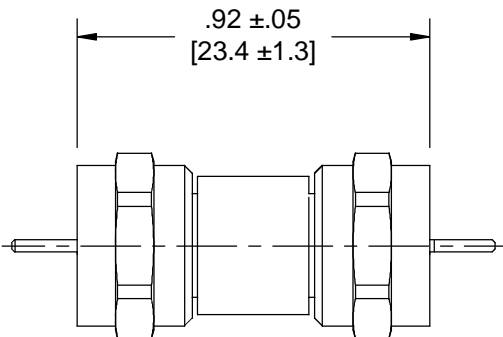
Connectors \_\_\_\_\_ Nickel Plated Brass  
 Conductors \_\_\_\_\_ Nickel Plated Brass &  
 Gold Plated Beryllium Copper



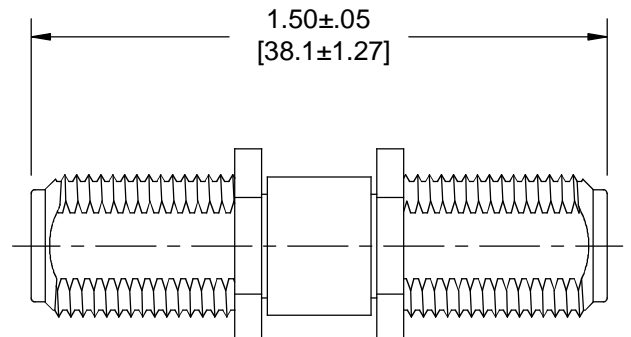
Model Number: **5230**  
Male/Female Connectors



Model Number: **5231**  
Male/Male Connectors



Model Number: **5232**  
Female/Female Connectors



Note: Dimensions in Brackets are Expressed in Millimeters and are for Reference Only.  
 Design specifications are subject to change without notice.  
 Contact factory for technical specifications before purchasing or use.

5230; REV E