

ADAPTERS, BETWEEN SERIES TYPE N / 3.5mm

DC - 18 GHz PRECISION



MODELS: 5144, 5145, 5146, 5147

SPECIFICATIONS:

Electrical:

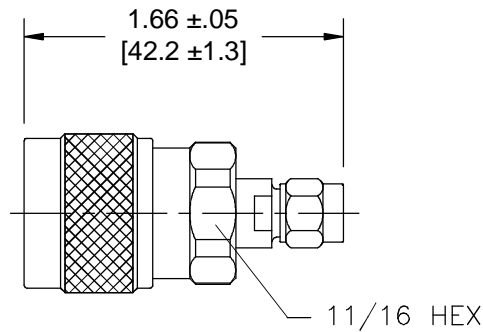
Frequency Range _____ DC – 18 GHz
 VSWR _____ 1.12:1 Max.
 Impedance _____ 50 Ohms
 Operating Temp. Range _____ -65°C to +125°C

Mechanical:

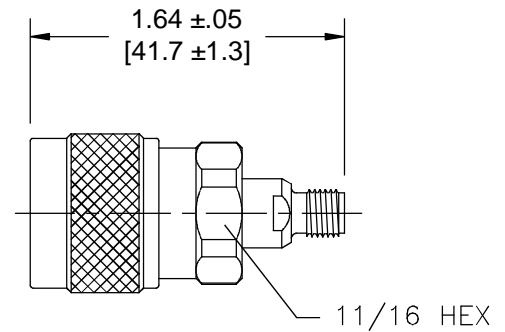
Type N Connectors _____ Passivated Stainless Steel
Mates with MIL-STD-348
 3.5mm Connectors _____ Passivated Stainless Steel
Mates both Electrically and Mechanically with all
 SMA & K* Series Connectors.
 Conductors _____ Gold Plated Beryllium Copper

K* is a Trademark of Wiltron Corp.

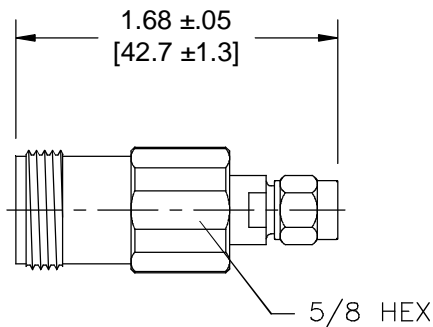
Model Number: **5144**
 Type N Male / 3.5mm Male



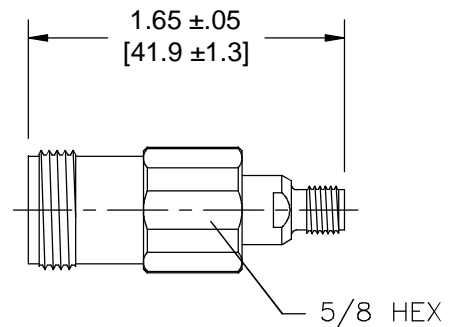
Model Number: **5145**
 Type N Male / 3.5mm Female



Model Number: **5146**
 Type N Female / 3.5mm Male



Model Number: **5147**
 Type N Female / 3.5mm Female



Note: Dimensions in Brackets are Expressed in Millimeters and are for Reference Only.
 Design specifications are subject to change without notice.
 Contact factory for technical specifications before purchasing or use.

5144; REV C