

# ADAPTERS, IN-SERIES TYPE N

## DC - 18 GHz PRECISION



MODELS: 5103, 5104 & 5105

### SPECIFICATIONS:

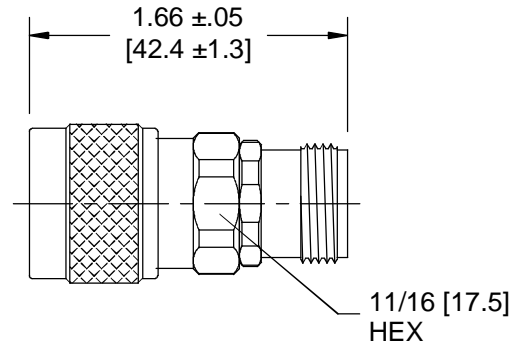
**Electrical:**

Frequency Range \_\_\_\_\_ DC – 18.0 GHz  
 VSWR  
 DC – 4 GHz \_\_\_\_\_ 1.04:1 Max.  
 4 – 8 GHz \_\_\_\_\_ 1.07:1 Max.  
 8 – 18 GHz \_\_\_\_\_ 1.12:1 Max.  
 Impedance \_\_\_\_\_ 50 Ohms  
 Operating Temp Range \_\_\_\_\_ -65°C to +125°C

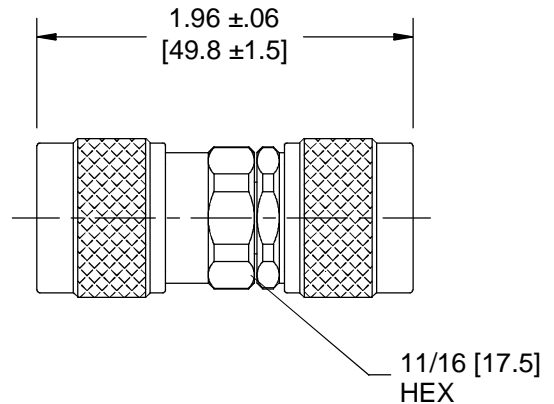
**Mechanical:**

Connectors \_\_\_\_\_ Passivated Stainless Steel  
 (Mates with MIL-STD-348)  
 Conductors \_\_\_\_\_ Gold Plated Beryllium Copper

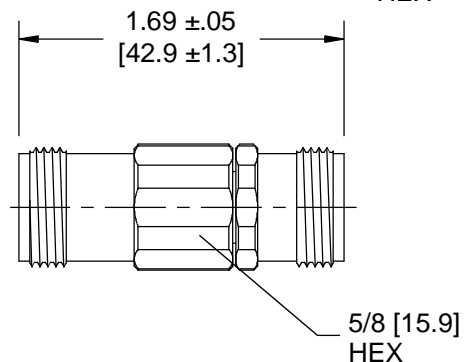
Model Number: **5105**  
 Male/Female Connectors



Model Number: **5104**  
 Male/Male Connectors



Model Number: **5103**  
 Female/Female Connectors



Note: Dimensions in Brackets are Expressed in Millimeters and are for Reference Only.  
 Design specifications are subject to change without notice.  
 Contact factory for technical specifications before purchasing or use.

5105; REV D