

# ADAPTER, BETWEEN SERIES 2.4mm / 3.5mm

DC - 34 GHz



MODELS: 5065, 5066, 5067, 5068

## SPECIFICATIONS:

### Electrical:

Frequency Range \_\_\_\_\_ DC – 34 GHz  
 VSWR \_\_\_\_\_ 1.25:1 Max.  
 Impedance \_\_\_\_\_ 50 Ohms  
 Operating Temp. Range \_\_\_\_\_ -65°C to +125°C

### Mechanical:

2.4mm Connectors \_\_\_\_\_ Passivated Stainless Steel  
 (Mates with 1.85mm & V\* Connectors)

3.5mm Connectors \_\_\_\_\_ Passivated Stainless Steel

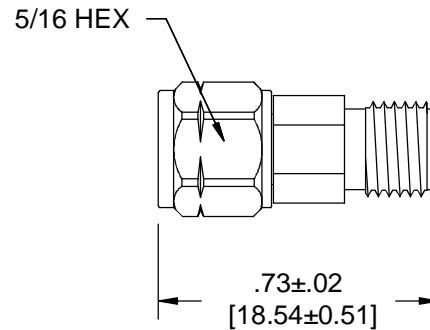
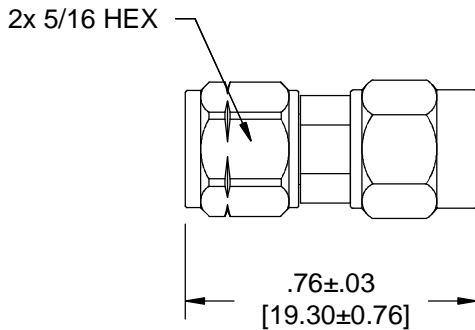
Mates both Mechanically & Electrically with all SMA, K\* Series Connectors.

Conductors \_\_\_\_\_ Gold Plated Beryllium Copper

\*K and V are trademarks of Anritsu Corp.

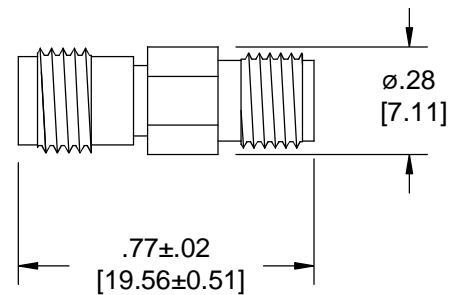
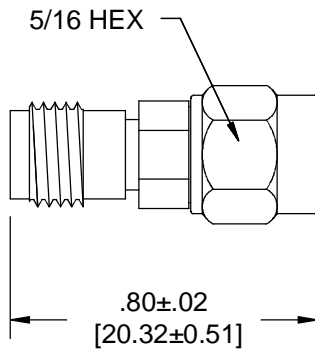
Model Number: **5065**  
 2.4mm MALE / 3.5mm MALE

Model Number: **5066**  
 2.4mm MALE / 3.5mm FEMALE



Model Number: **5067**  
 2.4mm FEMALE / 3.5mm MALE

Model Number: **5068**  
 2.4mm FEMALE / 3.5mm FEMALE



Note: Dimensions in Brackets are Expressed in Millimeters and are for Reference Only.  
 Design specifications are subject to change without notice.  
 Contact factory for technical specifications before purchasing or use.