

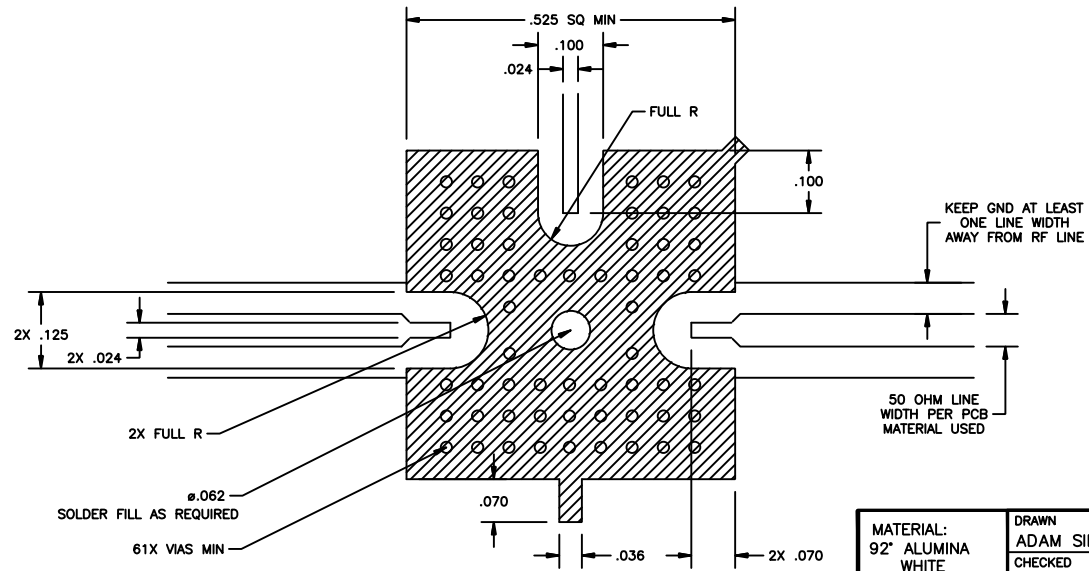
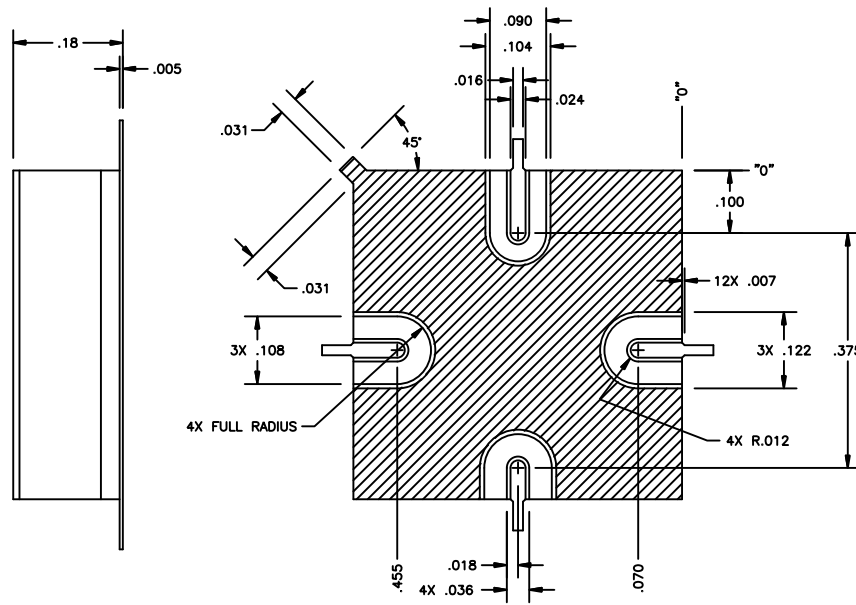
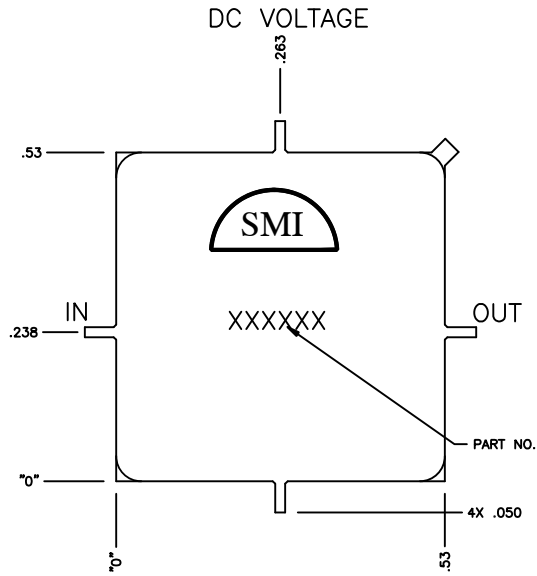
OTL 29200525

REVISIONS

LTR	DESCRIPTION	DATE	APPROVED
-	ECN 11629, RELEASE	9/26/02	RA 9/26/02
A	ECN 16564, ADD LID THICKNESS	10/19/09	

NOTES:

1. HATCHED AREAS DENOTE METALLIZATION



RECOMMENDED FOOT PRINT

MATERIAL: 92% ALUMINA WHITE	DRAWN ADAM SIDLE	DATE 9/26/02
FINISH: NOTED	CHECKED	DATE
DIMENSIONS: INCHES Y14.5M-1994	ENGINEERING AAR	DATE 9/26/02
TOLERANCE:	MANUFACTURING	DATE
DEC. .XX +/- .01	QUALITY RA	DATE 9/26/02
ANG .X 1' DEG		

SPECTRUM
MICROWAVE
A Spectrum Control Business

PHILADELPHIA OPERATIONS
2707 BLACK LAKE PLACE,
PHILADELPHIA PA. 19154 (USA)

OUTLINE SM-19
HEADER .525 SQ

CODE IDENT NO.
60979

OTL 29200525

PDM VAULT:PHIL\ENG\ACLTW\OUTLINE

SHEET 1 OF 1