

MATERIAL:

- 1. HEADER / LEADS - KOVAR
- 2. LID - NICKEL
- 3. FINISH:
HEADER / LEADS - GOLD/NICKEL PLATING
LID - NICKEL
- 4. DIMENSIONS ARE INCHES [mm]

TOLERANCE	
.XX	± .02 [.5]
.XXX	±.010 [.25]

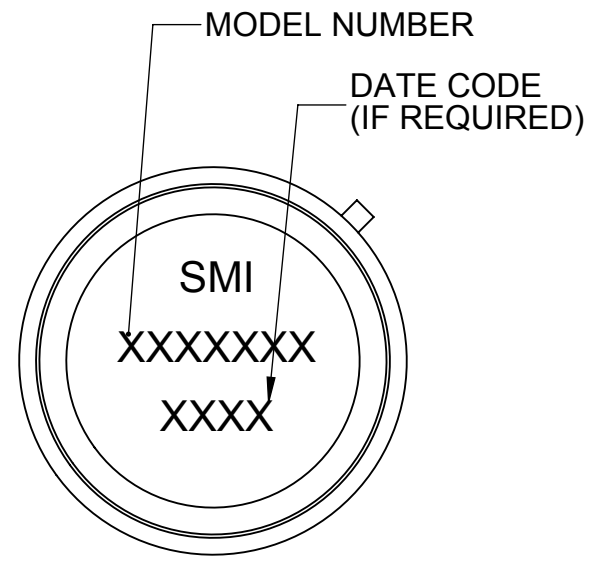
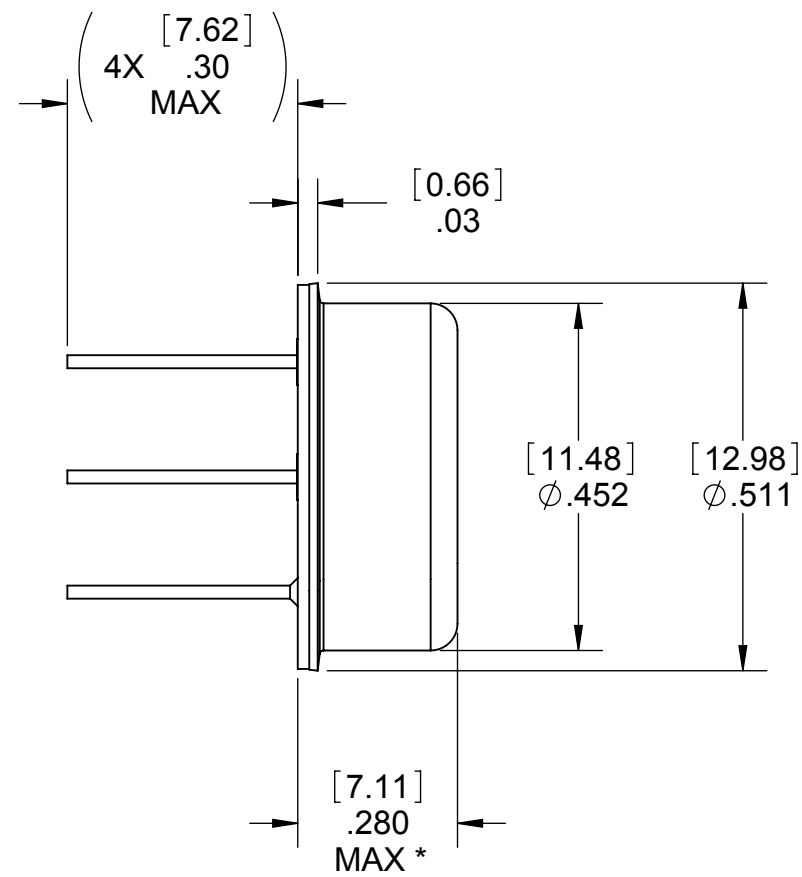
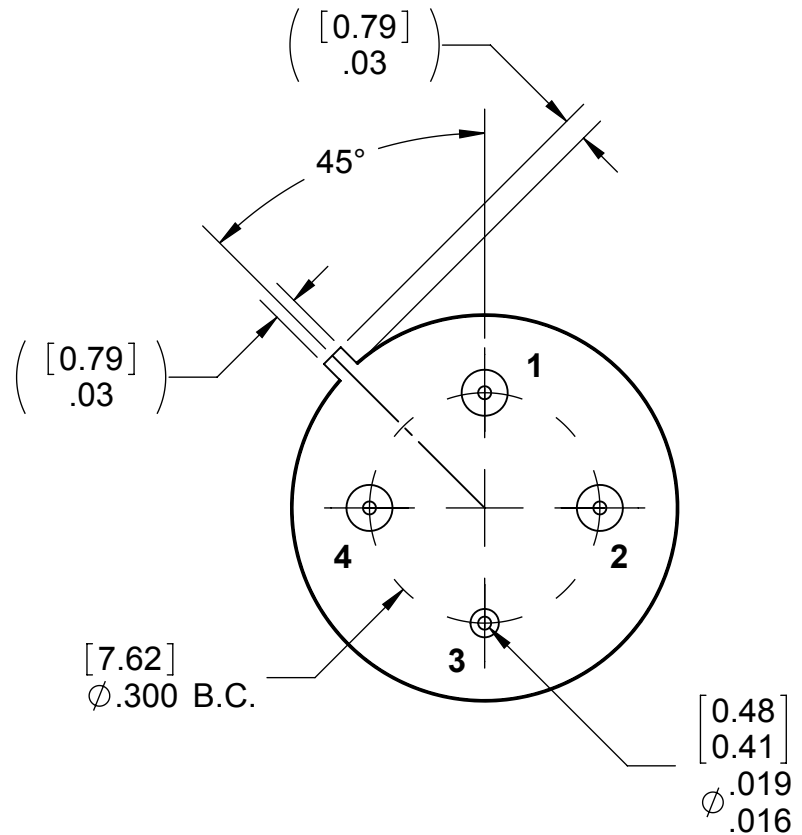
REVISIONS				
ZONE	REV.	DESCRIPTION	DATE	APPROVED
	-	RELEASE	2014/04/08	2014-04-10 KHT

AMPLIFIER

- PIN 1 - +VDC VOLTAGE
- PIN 2 - 50 OHM INPUT
- PIN 3 - (GROUND) DC & RF
- PIN 4 - 50 OHM OUTPUT

VCO

- PIN 1 - +VDC VOLTAGE
- PIN 2 - TUNING VOLTAGE
- PIN 3 - (GROUND) DC & RF
- PIN 4 - 50 OHM OUTPUT



* COMPONENT HEIGHT MAY VARY
ACCORDING TO SPECIFIC DEVICE
CONSULT SPECTRUM MICROWAVE
FOR ADDITIONAL INFORMATION
IF REQUIRED



CAUTION

**THIS ASSEMBLY CONTAINS PARTS SENSITIVE
TO DAMAGE BY ELECTROSTATIC DISCHARGE (ESD).
USE ESD PRECAUTIONARY PROCEDURES WHEN
TOUCHING, REMOVING OR INSERTING**

SPECTRUM MICROWAVE PROPRIETARY INFORMATION
THIS DOCUMENT IS THE SOLE PROPERTY OF SPECTRUM MICROWAVE, INC.
THE RELEASE OF DATA CONTAINED IN THIS DOCUMENT AND THE
REPRODUCTION OF THIS DOCUMENT, IN WHOLE OR IN PART, WITHOUT THE
WRITTEN PERMISSION OF SPECTRUM MICROWAVE, INC ARE PROHIBITED.

UNLESS OTHERWISE SPECIFIED		3rd ANGLE PROJECTION		SPECTRUM MICROWAVE, INC 2707 Black Lake Place Philadelphia, PA 19154-1008 (USA)			
<small>* INTERPRET DRAWING IAW ASME Y14.100-2004 * DIMENSIONING AND TOLERANCING IAW ASME Y14.5-1994 * PARENTHETICAL INFORMATION FOR REFERENCE ONLY * DIMENSIONAL LIMITS APPLY BEFORE PROCESSES</small>		ANSI					TITLE <h2 style="text-align: center;">OUTLINE TO-8 PACKAGE</h2>
DRAWN	WAR	DATE	2014-04-08	SIZE	CAGE CODE	DWG NO.	REV
CHECKED				B	60979	088-00285	-
ENGRG	-			SCALE: DO NOT SCALE		SHEET	1 OF 1
MFG							
QA	KT		2014-04-10				