

Attenuators

1.85mm

DC - 50 GHz

MODELS: 50V-XX

Technical Specifications

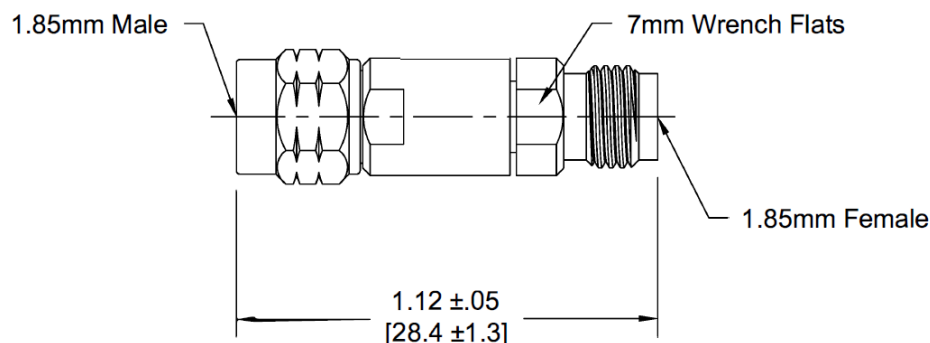
Parameter	Value		
<i>Electrical</i>			
Frequency Range	DC – 50 GHz		
Standard dB Values	3, 6 & 10		
Attenuation Accuracy	DC-18 GHz	18-40 GHz	40-50 GHz
3 & 6 dB	±0.5 dB	±1.0 dB	±1.5 dB
10 dB	±0.75 dB	±1.0 dB	±1.5 dB
VSWR			
DC – 18 GHz	1.35:1 max.		
18 – 40 GHz	1.60:1 max.		
40 – 50 GHz	1.75:1 max.		
Input Power	2 Watt avg. @ +25°C <i>Derated linearity to 0.75 watts @ +55°C</i>		
Impedance	50 Ohms		
Operation Temp. Range	0°C to +55°C		
Storage Temp. Range	-55°C to +85°C		

Parameter	Value	
<i>Mechanical</i>		
1.85mm Connectors Mates with 2.4mm & V* connectors	Passivated Stainless Steel	
Conductors	Gold Plated Beryllium Copper	
Barrel & Coupling Nut	Passivated Stainless Steel	

*V is a trademark of Anritsu Corp.

Model Number 50V-XX

Male / Female



How To Order

Model #: 50V-XX
 dB Value

Order Example

Model number: 50V-10
 10 dB, DC-50 GHz, male/female

Overall lengths are with coupling nut
 biased fully forward (installed length)

***Dimensions in brackets are expressed
 in millimeters and are for reference only.