

4

3

DWG NO. **088-00386**

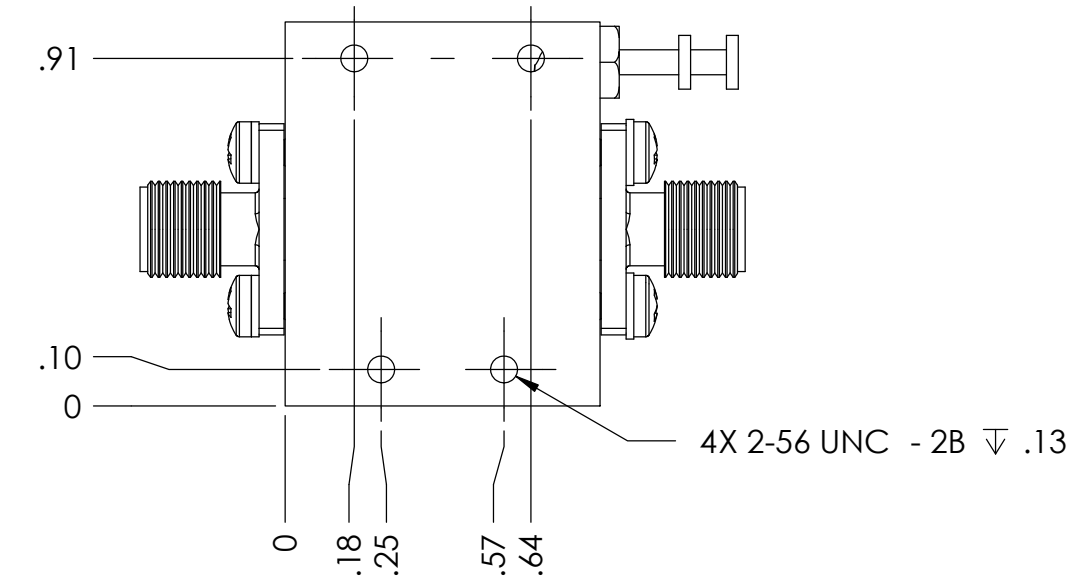
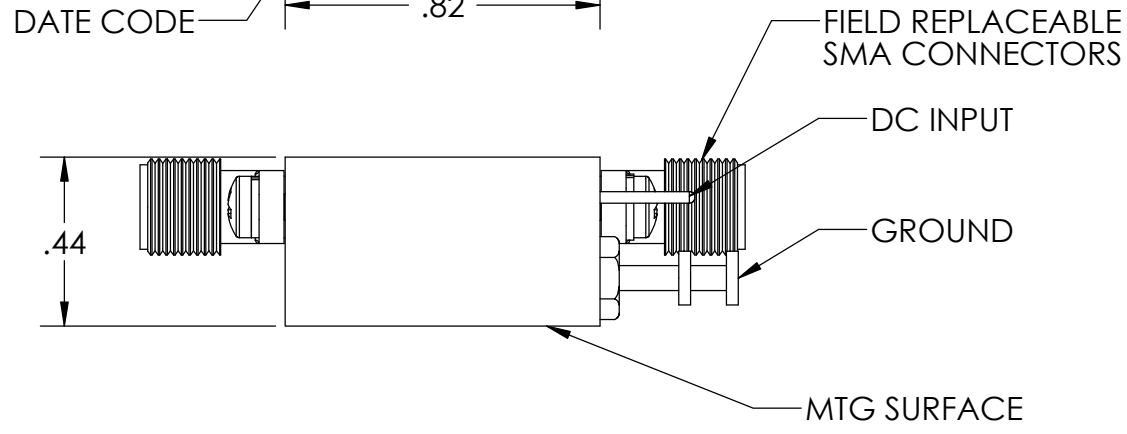
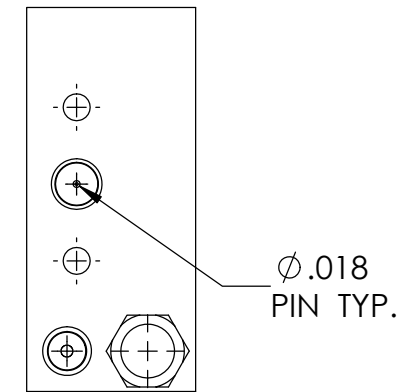
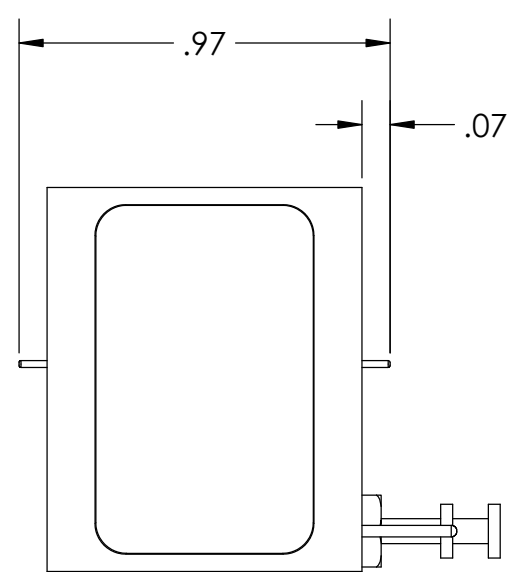
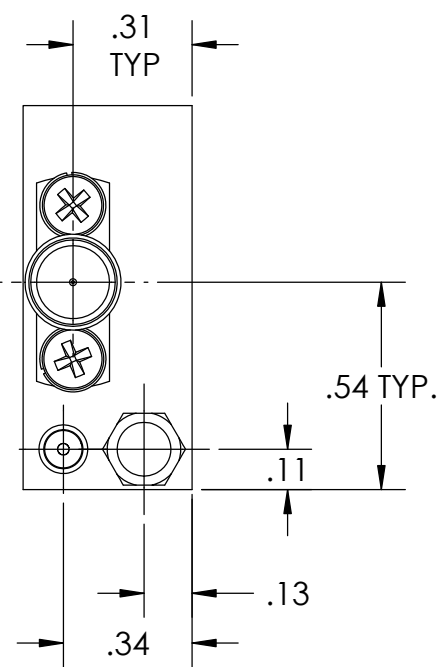
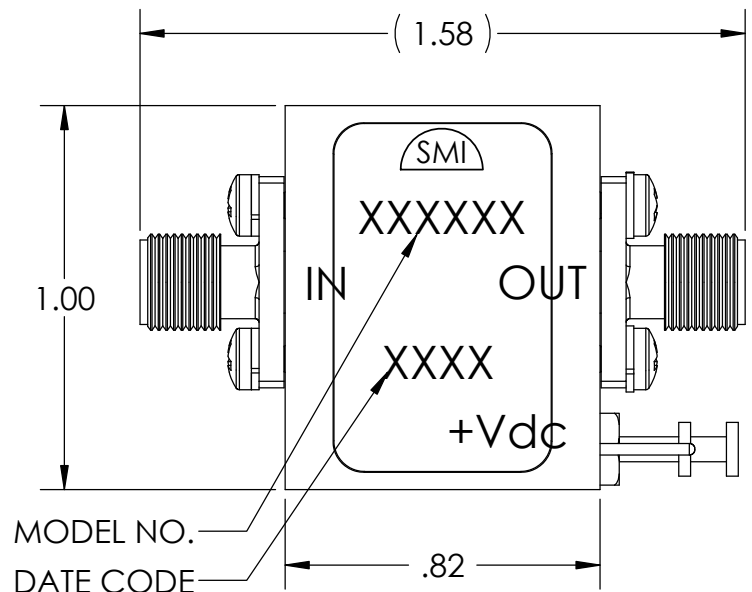
SH **1** OF **1** REV **P1**

1

NOTES:

1. HOUSING: 70/30 CU/NI ELECTRONIC GRADE

| REVISIONS | | | | |
|-----------|------|---------------------|------------|------------|
| ECN | REV. | DESCRIPTION | CHNG/DATE | APPVD/DATE |
| XXXX | P1 | PRELIMINARY RELEASE | 2013/06/24 | - |



WITHOUT SMA CONNECTORS

CAUTION



THIS ASSEMBLY CONTAINS PARTS SENSITIVE TO DAMAGE BY ELECTROSTATIC DISCHARGE (ESD). USE ESD PRECAUTIONARY PROCEDURES WHEN TOUCHING, REMOVING OR INSERTING

SEE SEPARATE PARTS LIST IN ELECTRONIC STORAGE

SPECTRUM MICROWAVE PROPRIETARY INFORMATION
 THIS DOCUMENT IS THE SOLE PROPERTY OF SPECTRUM MICROWAVE, INC. THE RELEASE OF DATA CONTAINED IN THIS DOCUMENT AND THE REPRODUCTION OF THIS DOCUMENT, IN WHOLE OR IN PART, WITHOUT THE WRITTEN PERMISSION OF SPECTRUM MICROWAVE, INC ARE PROHIBITED.

| | | | |
|-----------------------------------|-----|----------------------|------------|
| UNLESS OTHERWISE SPECIFIED | | 3rd ANGLE PROJECTION | |
| | | ANSI | |
| DRAWN | WAR | DATE | 2013/06/24 |
| CHECKED | | | |
| ENGRG | PH | 2013/06/24 | |
| MFG | | | |
| QA | | | |

| | | | |
|----------------------------------------------------------------------------------------------|--------------|------------------|----------------------|
| SPECTRUM MICROWAVE, INC 2707 Black Lake Place Philadelphia, PA 19154-1008 (USA) | | | |
| TITLE OUTLINE, H1L | | | |
| SIZE | CAGE CODE | DWG NO. | REV |
| B | 60979 | 088-00386 | P1 |
| SCALE: | 2:1 | SHEET | 1 OF 1 |

DO NOT SCALE DRAWING

4

3

2

1