

PROPRIETY NOTICE

REVISIONS

THIS DWG IS THE PROPERTY OF SPECTRUM MICROWAVE INC. NEITHER RECEIPT NOR POSSESSION THEREOF CONFERS OR TRANSFERS ANY RIGHT IN OR LICENSE TO USE ANY DESIGN OR TECHNICAL INFORMATION HEREON NOR ANY RIGHT TO REPRODUCE THIS DWG IN WHOLE OR IN PART WITHOUT THE WRITTEN CONSENT OF SPECTRUM MICROWAVE INC. IT IS ISSUED ONLY ON THE EXPRESS CONDITION THAT ITS TECHNICAL CONTENT WHETHER PATENTED OR NOT WILL BE RESPECTED

ECN	REV	DESCRIPTION	CHNG/DATE	APVD/DATE
201322	F.2	UPDATE TO NEW NUMBER	JM6/23/2009	JM6/23/2009

NUMBER WAS E52-19422 NO CHANGE TO FORM, FIT AND FUNCTION

TOLERANCES (INCHES)

.XX = ± .02 X/X = ± 1/32
 .XXX = ± .005 X' = ± 1' 0'

CONTRACT NO.

DRAWN M. GOSSELIN DATE 95-10-19

PROC ENGRG

ENGRG G.R. CALLAWAY 95-11-27

MFG C. ROSENWALD 95-11-30

QA T. KECK 95-11-30

SPECTRUM MICROWAVE, INC

2144 Franklin Drive N.E.
 Palm Bay, Florida 32905

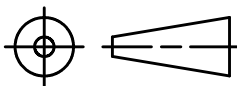
TITLE
OUTLINE DRAWING

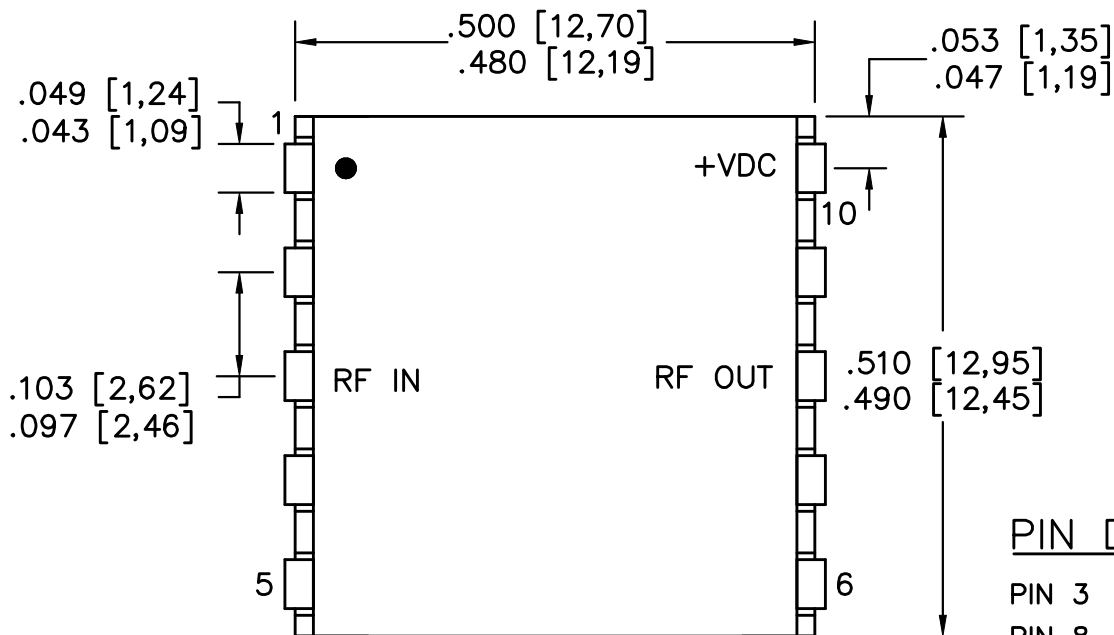
SIZE CAGE CODE DWG. NO.
A 55027 080-10117-0001

SCALE: 5/1 APPROX WT SHEET 1 OF 3



NOTES: UNLESS OTHERWISE SPECIFIED,

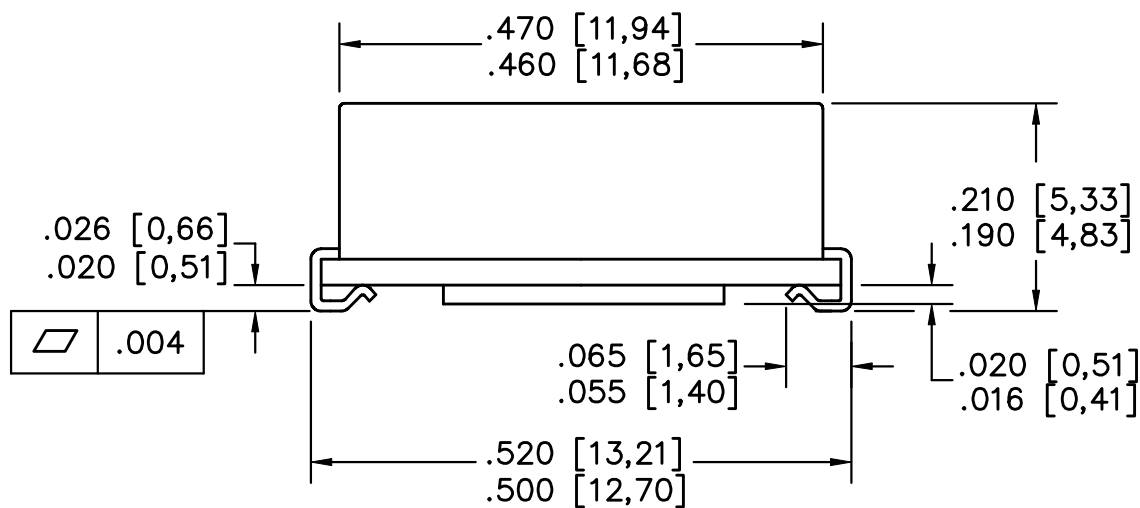
1. INTERPRET DWG PER ASME Y14.100.
2. INTERPRET THIRD ANGLE PROJECTION  (ISO-A).
3. DIMENSIONS ARE IN INCHES [MM].
4. INTERPRET DIMENSIONING SYMBOLS PER ASME Y14.5M.
5. DO NOT SCALE THIS DRAWING.
6. ALL PRINTED PATTERN TOLERANCES: ± 0.001 .
7. ALL DRILLED FEATURES: ± 0.002 .



TOP VIEW

PIN DESIGNATIONS:

- PIN 3 RF INPUT
- PIN 8 RF OUTPUT
- PIN 10 DC VOLTAGE
- ALL OTHERS GROUND



FRONT VIEW

SPECTRUM MICROWAVE, INC

SIZE

CAGE CODE

DWG NO.

TITLE

A

55027

080-10117-0001

OUTLINE DRAWING

SCALE:

5/1

REV

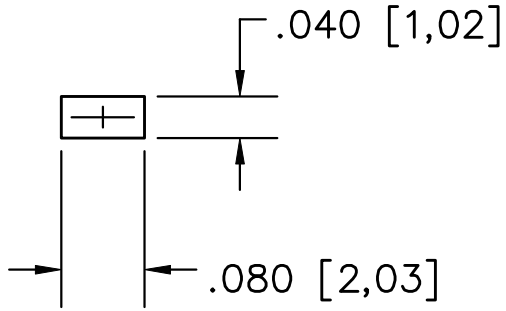
F.2

SHEET

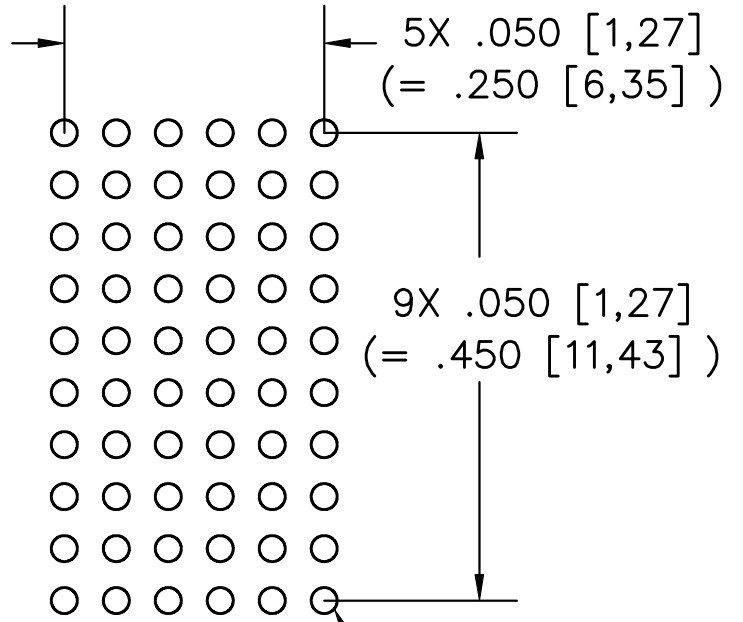
2

OF

3

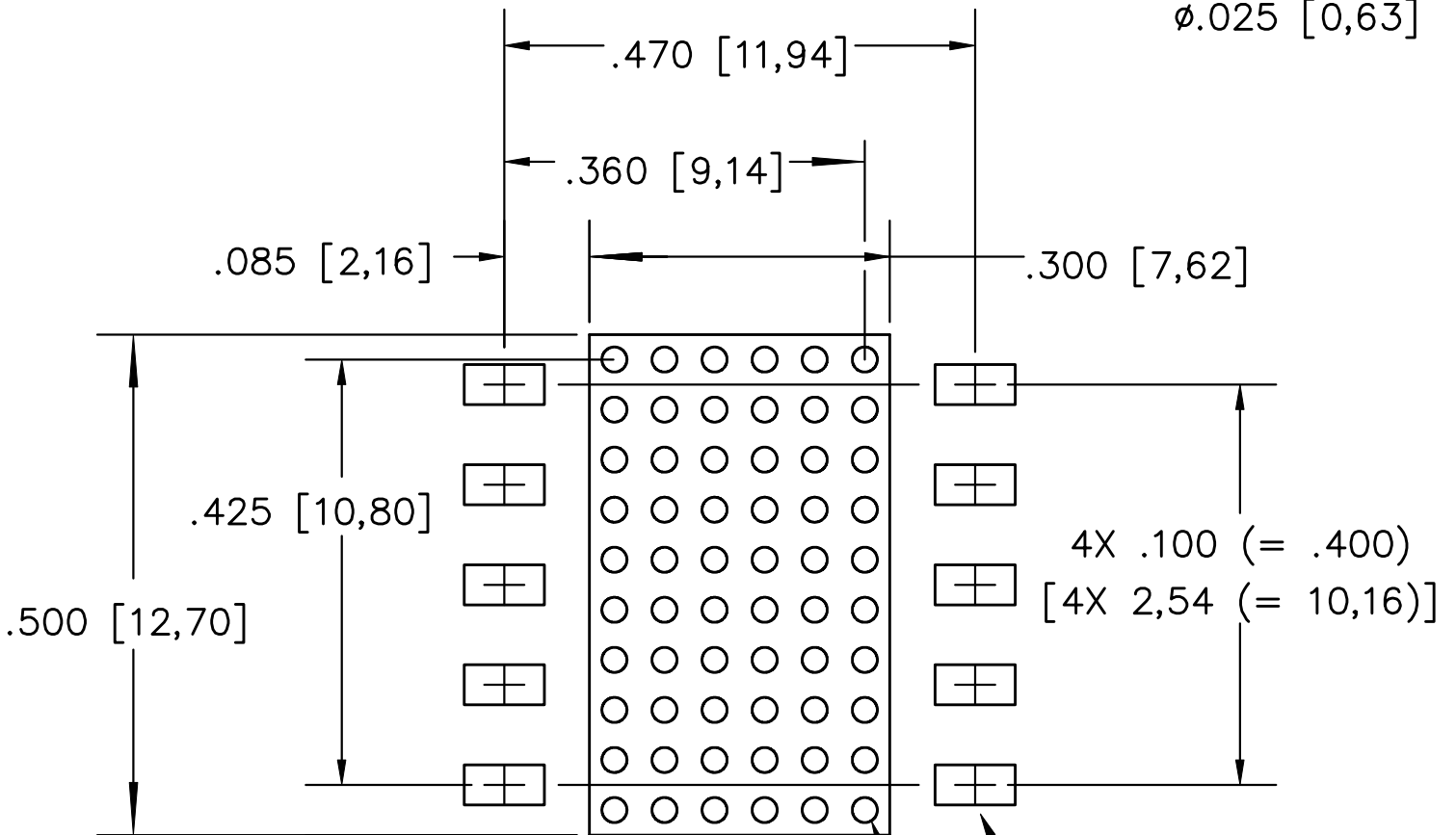


VIEW A
10 PLACES



VIEW B

60X
ø.025 [0,63]



FOOT PRINT

SEE VIEW A
SEE VIEW B

SPECTRUM MICROWAVE, INC

SIZE

CAGE CODE

DWG NO.

TITLE

A

55027

080-10117-0001

OUTLINE DRAWING

SCALE:

5/1

REV

F.2

SHEET

3

OF

3