

4

3

DWG NO.

088-00304

SH

1 OF 1

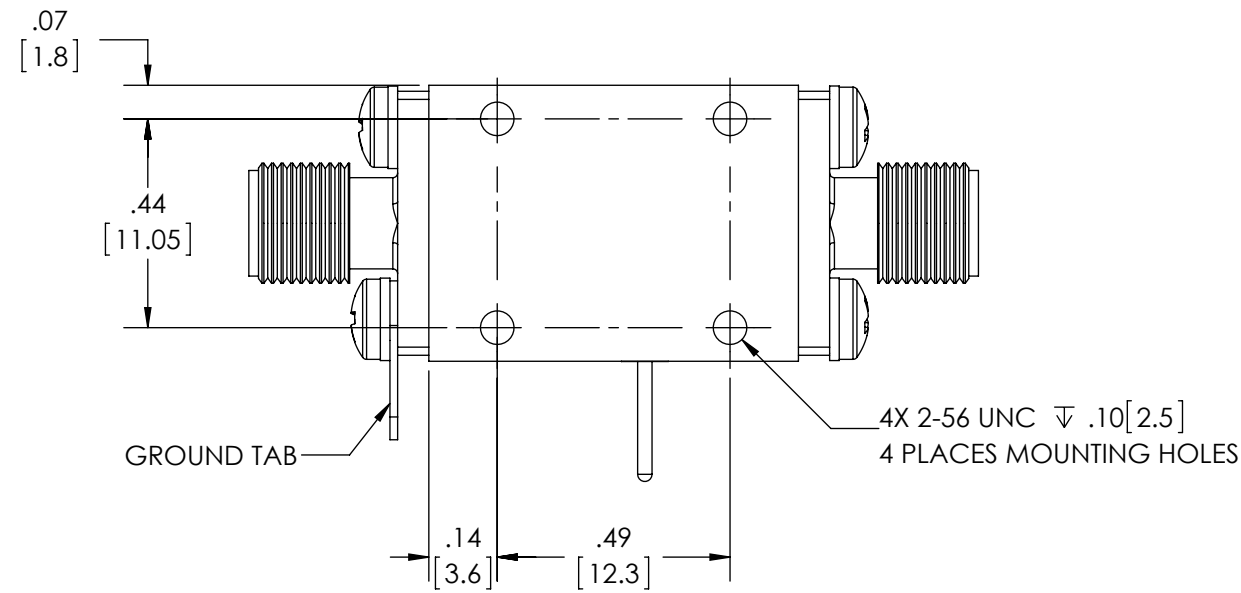
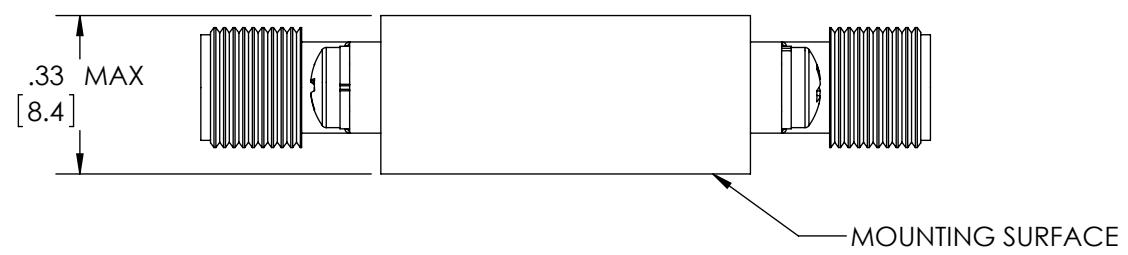
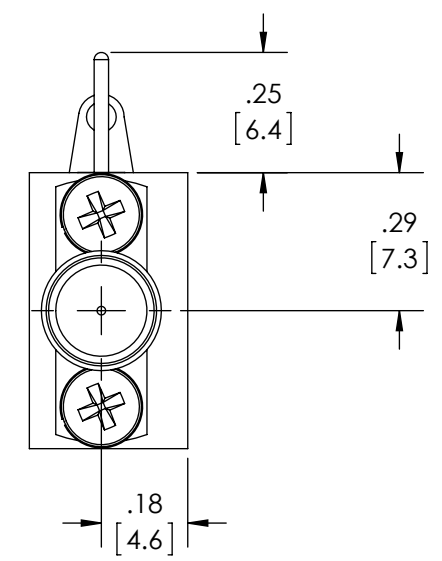
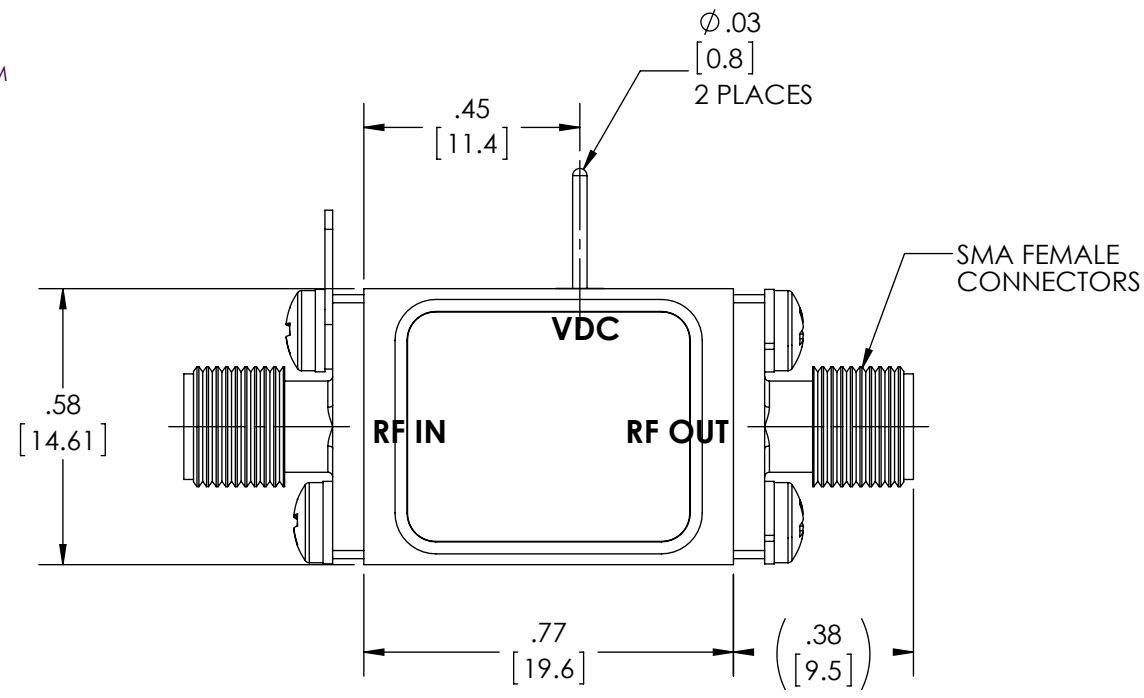
REV

-

1

NOTES:
 1. MATERIAL: ALUMINUM
 2. FINISH: NICKEL

REVISIONS				
ECN	REV.	DESCRIPTION	CHNG/DATE	APPVD/DATE
XXXX	-	ENGINEERING RELEASE	2014/07/17	X



CAUTION

THIS ASSEMBLY CONTAINS PARTS SENSITIVE TO DAMAGE BY ELECTROSTATIC DISCHARGE (ESD). USE ESD PRECAUTIONARY PROCEDURES WHEN TOUCHING, REMOVING OR INSERTING

ADD -U AFTER DRAWING NUMBER TO FORM COMPLETE PART NUMBER FOR UNPLATED PART

UNLESS OTHERWISE SPECIFIED		3rd ANGLE PROJECTION	
* INTERPRET DRAWING IAW ASME Y14.100-2004 * DIMENSIONING AND TOLERANCING IAW ASME Y14.5-1994 * PARENTHETICAL INFORMATION FOR REFERENCE ONLY * DIMENSIONAL LIMITS APPLY BEFORE PROCESSES * DIMENSIONS ARE IN INCHES * TOLERANCES ARE: ANGLES ±1.0° 2 PLACE DECIMAL ±.02 * SURFACE FINISH 63/ 3 PLACE DECIMAL ±.005		ANSI	DRAWN: WAR CHECKED: ENGRG: HP MFG: QA: APPROVED: -
* REMOVE ALL BURRS AND SHARP EDGES .010 RAD MAX. * CONCENTRICITY MACHINED DIA: .002 FIM * MACHINED TOOL MISMATCH: .002 MAX.		DATE: 2014/07/17 DATE: 2014/07/17	TITLE:
DO NOT SCALE DRAWING		SCALE: 2.5:1	SHEET 1 OF 1

api technologies corp. PHILADELPHIA OPERATIONS
 2707 BLACK LAKE PLACE,
 PHILADELPHIA PA. 19154 (USA)

OUTLINE, HCP1

SIZE: B	CAGE CODE: 60979	DWG NO.: 088-00304	REV: -
----------------	-------------------------	---------------------------	---------------

API TECHNOLOGIES CORP. PROPRIETARY INFORMATION
 THIS DOCUMENT IS THE SOLE PROPERTY OF API TECHNOLOGIES CORP. THE RELEASE OF DATA CONTAINED IN THIS DOCUMENT AND THE REPRODUCTION OF THIS DOCUMENT, IN WHOLE OR IN PART, WITHOUT THE WRITTEN PERMISSION OF API TECHNOLOGIES CORP., ARE PROHIBITED.

4

3

2

1