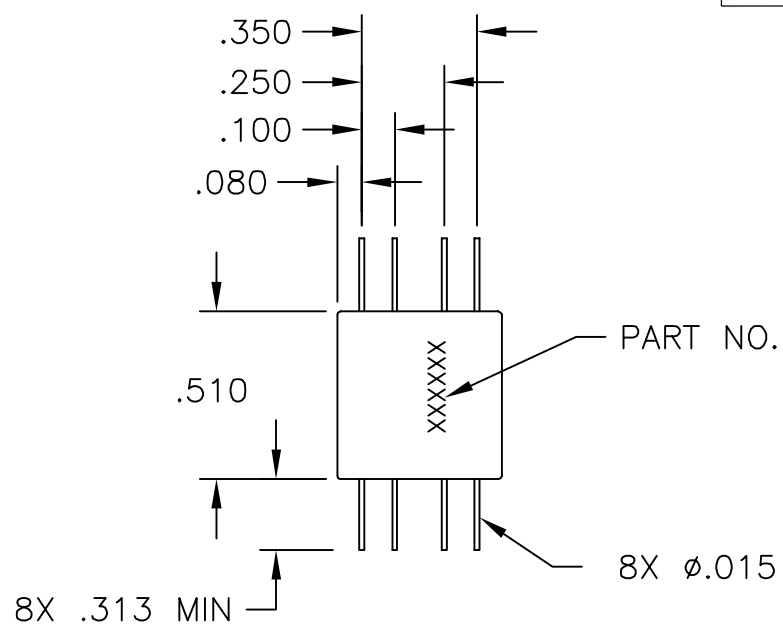


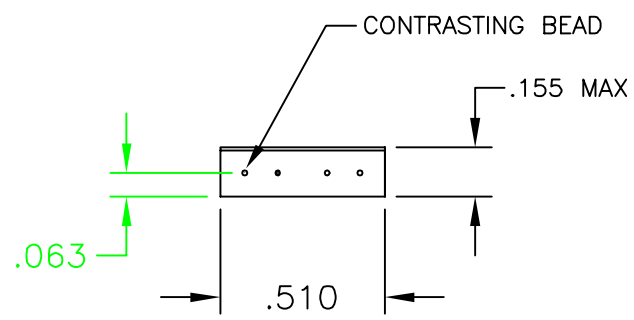
OTL23100031

REVISIONS


LTR	DESCRIPTION	DATE	APPROVED
A	ECN 5221, UPDATE VIEW & DIMENSIONS	10/22/92	RPD 2/27/93
B	ECN 11333, REDRAW ON CAD	4/17/02	



MATERIAL: KOVAR  
FINISH: NICKEL/GOLD



**CAUTION**  
THIS ASSEMBLY CONTAINS PARTS SENSITIVE TO DAMAGE BY ELECTRO-STATIC DISCHARGE (ESD). USE ESD PRECAUTIONARY PROCEDURES WHEN TOUCHING, REMOVING OR INSERTING.

MATERIAL:	DRAWN ADAM SIDLE	DATE 4/17/02	 <b>PHILADELPHIA OPERATIONS</b> 2707 BLACK LAKE PLACE PHILADELPHIA PA 19154 (USA)
	CHECKED	DATE	
FINISH	ENGINEERING ARR	DATE 3/27/92	OUTLINE DRAWING FP-11 8 PIN FLATPACK
	MANUFACTURING	DATE	
DIMENSIONS: INCHES	QUALITY	DATE	CODE IDENT NO.
TOLERANCE	RPB	6/29/92	60979
DEC.			OTL 23100031