

MATERIAL:

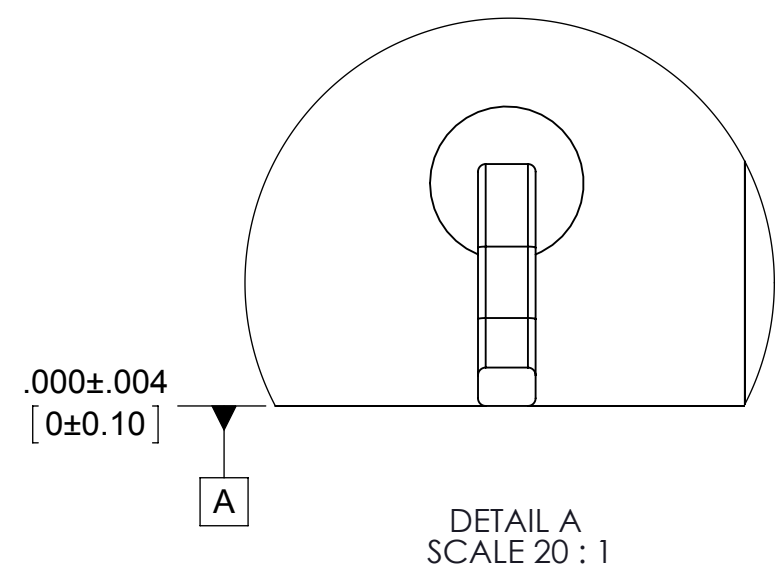
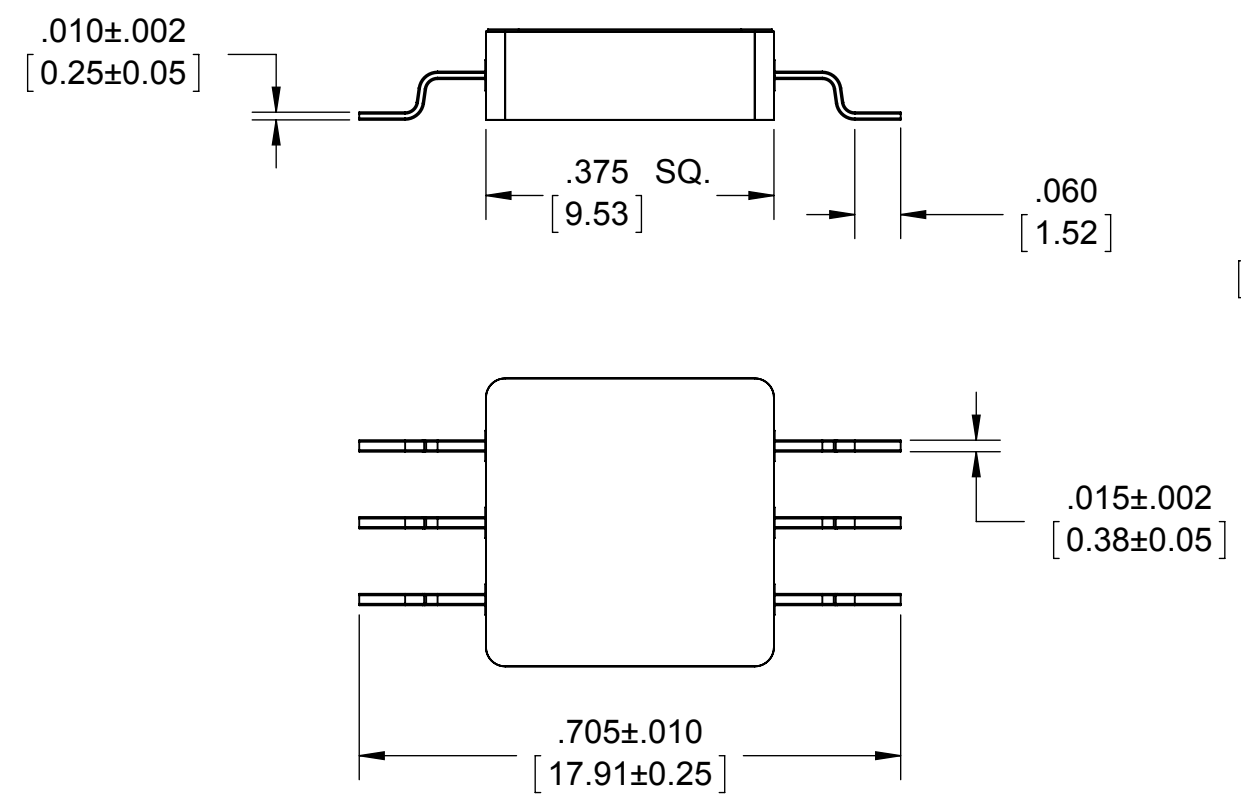
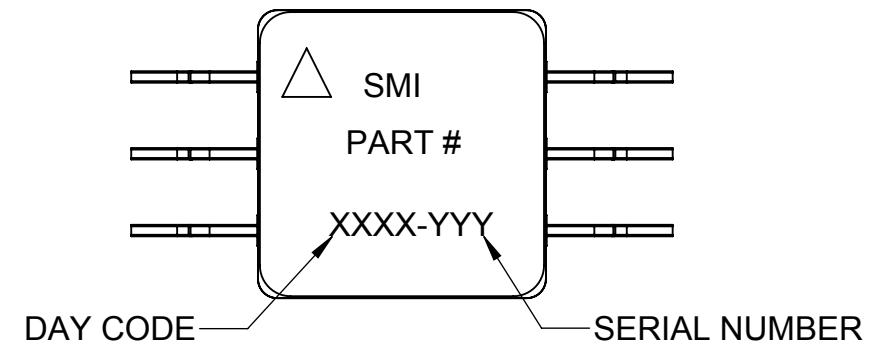
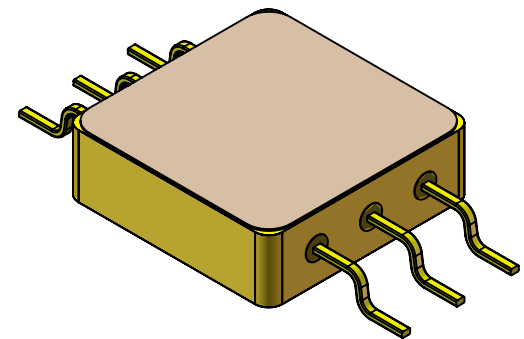
- 1. WALLS/BASE - CERAMIC/KOVAR
LEADS - KOVAR
LID - KOVAR
- 2. FINISH:
WALLS - GOLD/NICKEL PLATING
LEADS - GOLD/NICKEL PLATING
LID - NICKEL PLATING
- 3. DIMENSIONS ARE INCHES (mm)

CAUTION



THIS ASSEMBLY CONTAINS PARTS SENSITIVE TO DAMAGE BY ELECTROSTATIC DISCHARGE (ESD). USE ESD PRECAUTIONARY PROCEDURES WHEN TOUCHING, REMOVING OR INSERTING

REVISIONS				
ECN	REV.	DESCRIPTION	DATE	APPROVED
00656	-	INITIAL RELEASE ECN 00656	2011/03/17	2012/12/28 KHT
00786	A	REVISE TO ADD DETAIL OF THE PINS ECN00786	2013-04-17	2013-04-29 KHT
13535	B	DETAIL "A" TOL .000 +/- .004 WAS .002	2015/05/20	2015/05/20 DM



UNLESS OTHERWISE SPECIFIED

3rd ANGLE PROJECTION
ANSI

* INTERPRET DRAWING IAW ASME Y14.100-2004
* DIMENSIONING AND TOLERANCING IAW ASME Y14.5-1994
* PARENTHETICAL INFORMATION FOR REFERENCE ONLY
* DIMENSIONAL LIMITS APPLY BEFORE PROCESSES
* DIMENSIONS ARE IN INCHES
* TOLERANCES ARE: ANGLES ±1.0°
* SURFACE FINISH 63
* REMOVE ALL BURRS AND SHARP EDGES .010 RAD MAX.
* CONCENTRICITY MACHINED DIA: .002 FIM
* MACHINED TOOL MISMATCH: .002 MAX.

DO NOT SCALE DRAWING

DRAWN	WAR	DATE	2013-04-16
CHECKED			
ENGRG	VB	DATE	2013-04-16
MFG			
QA	KT	DATE	2013-04-XX

SPECTRUM MICROWAVE, INC 2707 Black Lake Place Philadelphia, PA 19154-1008 (USA)			
TITLE OUTLINE SG-1			
SIZE	CAGE CODE	DWG NO.	REV
B	60979	088-00379	B
SCALE: DO NOT SCALE		SHEET	1 OF 1

SPECTRUM MICROWAVE PROPRIETARY INFORMATION
THIS DOCUMENT IS THE SOLE PROPERTY OF SPECTRUM MICROWAVE, INC. THE RELEASE OF DATA CONTAINED IN THIS DOCUMENT AND THE REPRODUCTION OF THIS DOCUMENT, IN WHOLE OR IN PART, WITHOUT THE WRITTEN PERMISSION OF SPECTRUM MICROWAVE, INC ARE PROHIBITED.