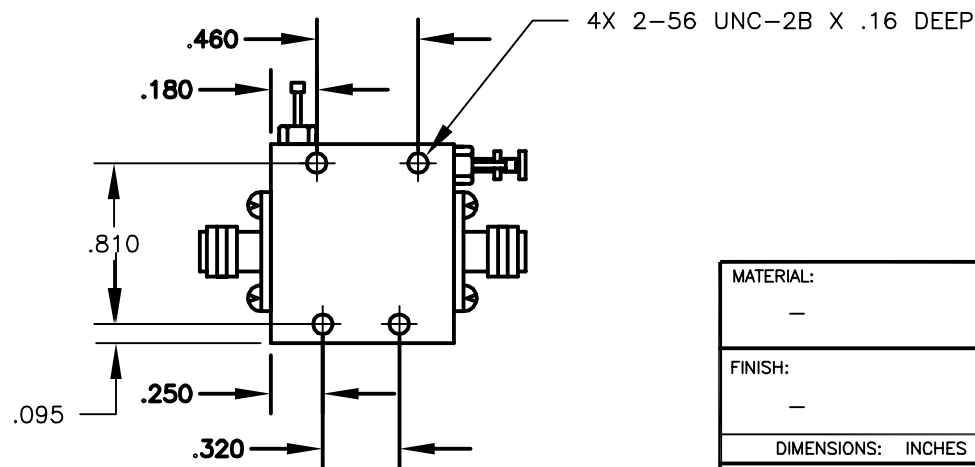
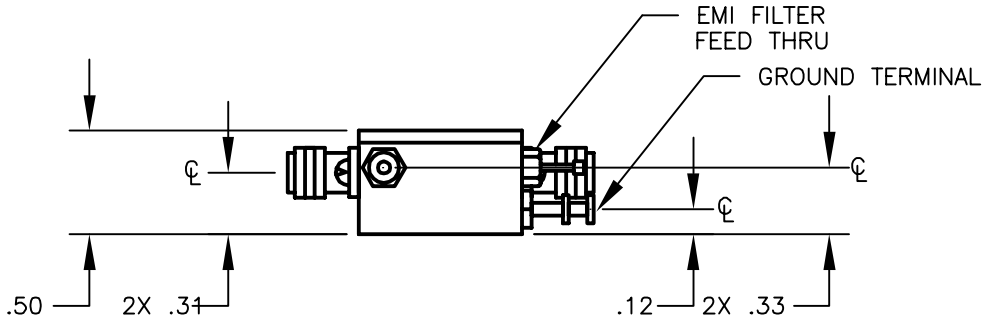
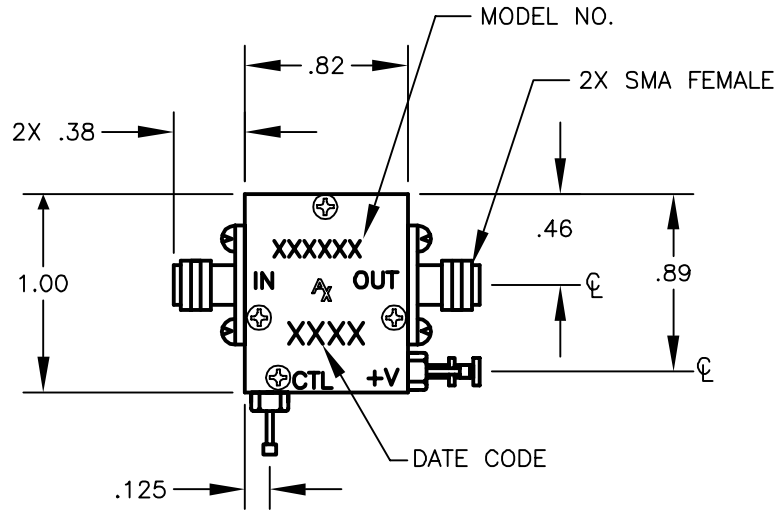


OTL_H6


REVISIONS

REV	DESCRIPTION	DATE	APPROVED
--	ECN 11236, RELEASE	2/6/02	RA 2/6/02



CAUTION

THIS ASSEMBLY CONTAINS PARTS SENSITIVE TO DAMAGE BY ELECTRO-STATIC DISCHARGE (ESD). USE ESD PRECAUTIONARY PROCEDURES WHEN TOUCHING, REMOVING OR INSERTING.

MATERIAL: -		DRAWN ADAM SIDLE 2/6/02		DATE 2/6/02		 PHILADELPHIA OPERATIONS 2707 BLACK LAKE PLACE PHILADELPHIA PA 19154 (USA)			
FINISH: -		CHECKED		DATE					
DIMENSIONS: INCHES		ENGINEERING PR 2/6/02		DATE 2/6/02		OUTLINE DRAWING H6			
TOLERANCE		MANUFACTURING		DATE					
DEC.	.XX +/- .01		QUALITY RA		DATE 2/6/02		SIZE A	FSCM NO. 60979	DWG NO. OTL2310XXXX
	.XXX +/- .005								
ANG	.X DEG.						K:\ENGINEER\ACLTWIN\OTL\OTL_H6		SHT 1 OF 1