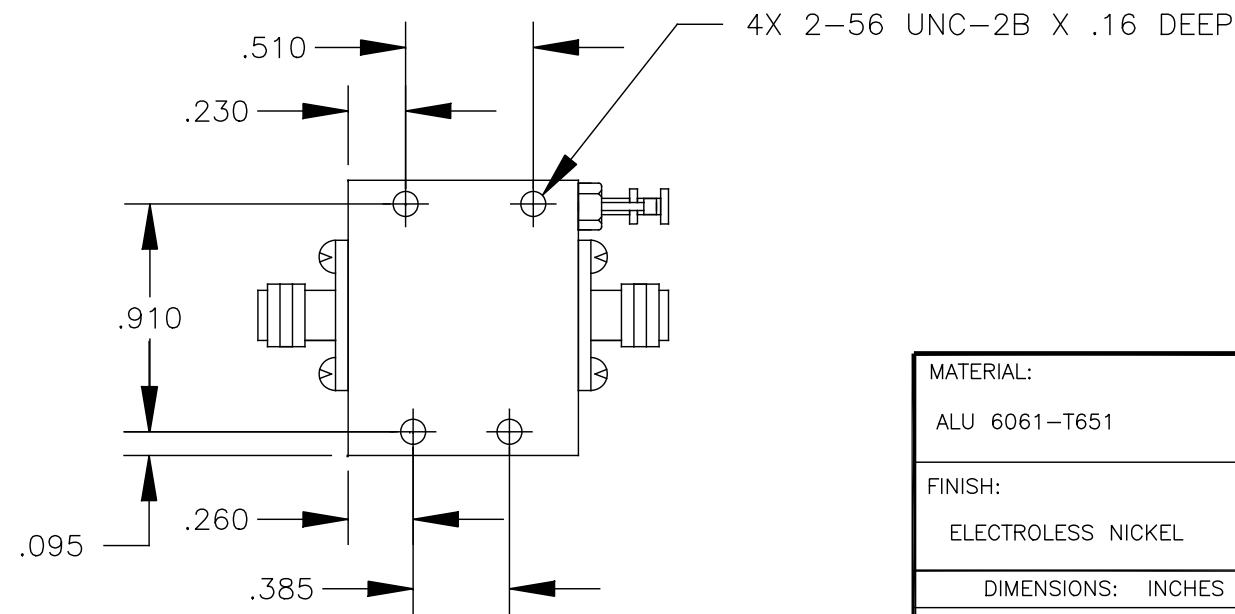
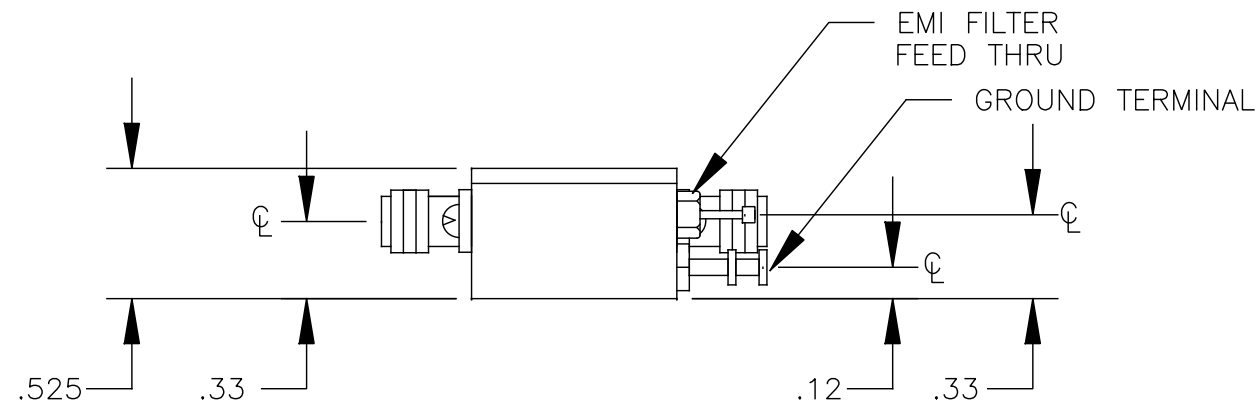
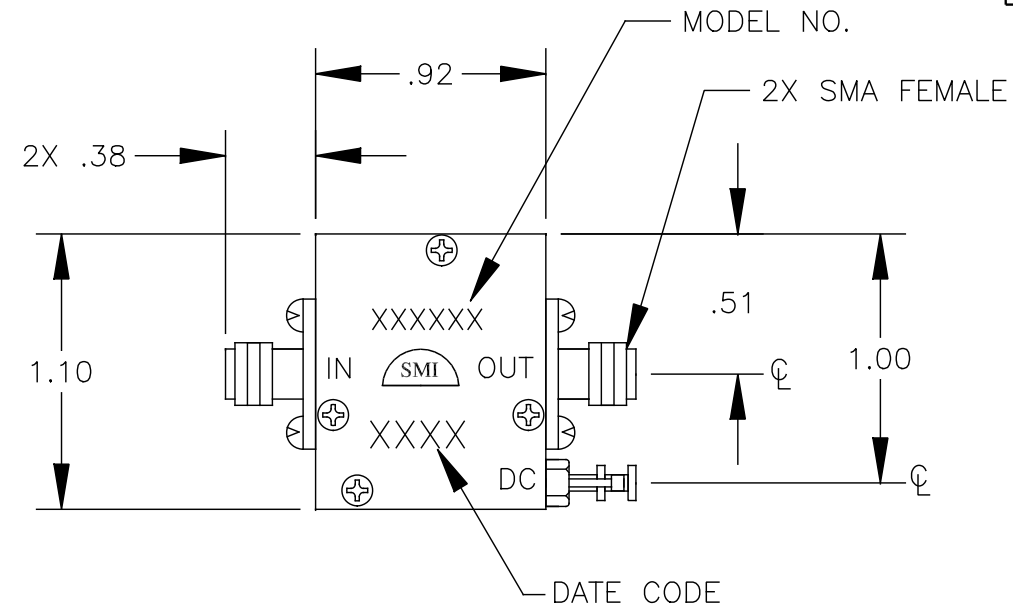


OTL_H2

REVISIONS

| REV | DESCRIPTION | DATE | APPROVED |
|-----|--------------------|----------|-------------|
| -- | ECN 11150, RELEASE | 12/12/01 | RA 12/12/01 |



CAUTION

THIS ASSEMBLY CONTAINS PARTS SENSITIVE TO DAMAGE BY ELECTRO-STATIC DISCHARGE (ESD). USE ESD PRECAUTIONARY PROCEDURES WHEN TOUCHING, REMOVING OR INSERTING.

| | | | | | | | | |
|-------------------------------|---------------|---------------------|----|------------------|----------|---|----------|--------------|
| MATERIAL: ALU 6061-T651 | | DRAWN ADAM SIDLE | | DATE 12/12/01 | | SPECTRUM MICROWAVE, INC 2707 BLACK LAKE PLACE PHILADELPHIA PA, 19154 (USA) | | |
| FINISH: ELECTROLESS NICKEL | | CHECKED | | DATE | | | | |
| DIMENSIONS: INCHES | | ENGINEERING ARR | | DATE 12/12/01 | | OUTLINE DRAWING H2 PACKAGE | | |
| TOLERANCE | | MANUFACTURING | | DATE | | | | |
| DEC. | .XX +/- .01 | QUALITY | RA | DATE | 12/12/01 | SIZE | FSCM NO. | DWG NO. |
| | .XXX +/- .005 | | | | | A | 60979 | OTL2310XXXX |
| ANG | .X DEG. | | | | | K:\ENGINEER\ACLTWIN\OTL\OTL_H2 | | SHEET 1 OF 1 |