

DC BLOCKS SMA

10 MHz - 4 GHz
900 VOLTS



MODELS: 8529A

SPECIFICATIONS:

Electrical:

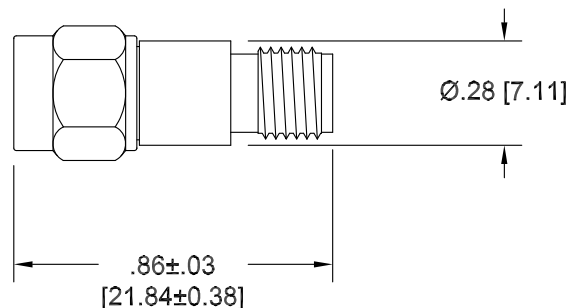
Frequency Range _____ 10 MHz - 4 GHz
Insertion Loss:
10 MHz - 4.0 GHz _____ 1.50 dB Max.
Block Type _____ Inner Only
VSWR:
10 MHz - 4.0 GHz _____ 1.60:1 Max.
Impedance _____ 50 Ohms
Voltage Rating _____ 900 Volts
Operating Temp. Range _____ -65°C to +125°C

Mechanical:

Connectors _____ Passivated Stainless Steel
Mates with MIL-STD-348
Conductors _____ Gold Plated Beryllium Copper



Model Number: 8529A



Note: Dimensions in Brackets are Expressed in Millimeters and are for Reference Only.
Design specifications are subject to change without notice.
Contact factory for technical specifications before purchasing or use.