

DC BLOCKS
2.9mm

10 MHz - 40 GHz
200 VOLTS



MODELS: 8142, 8145

SPECIFICATIONS:

Electrical:

Frequency Range _____ 10 MHz – 40 GHz
 VSWR _____ 1.45:1 Max.
 Impedance _____ 50 Ohms
 Insertion Loss _____ 0.5 dB Max.
 Voltage Rating _____ 200 Volts Max.
 Operating Temp. Range _____ -65°C to +125°C

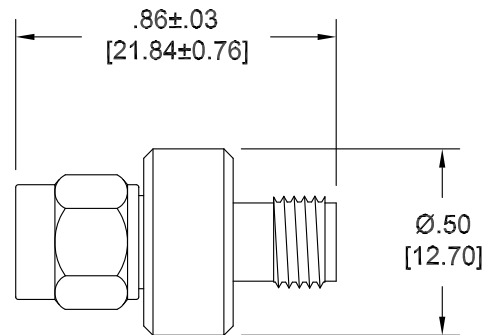
Mechanical:

Connectors _____ Passivated Stainless Steel
 (Mate both Mechanically & Electrically with
 all SMA, K* & 3.5mm Series Connectors.)
 Conductors _____ Gold Plated Beryllium Copper
 Housing _____ High Temperature Plastic

* K is a trademark of Wiltron Corp.

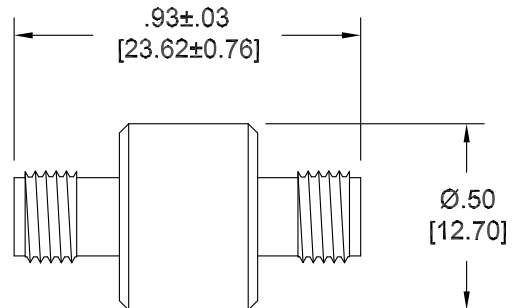
Model Number: **8142**

2.9mm Male to Female; Outer Only
 Weight _____ 5.5 Grams Max.



Model Number: **8145**

2.9mm Female to Female; Outer Only
 Weight _____ 6.2 Grams Max.



Note: Dimensions in Brackets are Expressed in Millimeters and are for Reference Only.
 Design specifications are subject to change without notice.
 Contact factory for technical specifications before purchasing or use.