

DC BLOCKS TNC

10 MHz - 18 GHz 200 VOLTS



MODELS: 8070, 8071, 8072, 8073, 8074, 8075, 8076, 8077, 8078

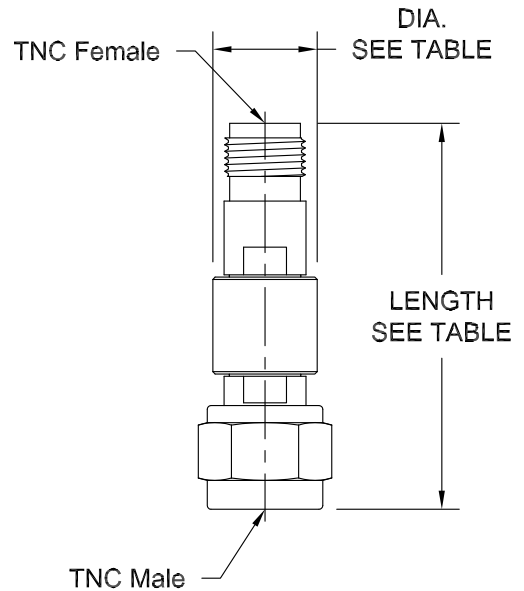
SPECIFICATIONS:

Electrical:

Frequency Range _____ 10 MHz – 18 GHz
 VSWR _____ 1.35:1 Max.
 Impedance _____ 50 Ohms
 Insertion Loss _____ 0.75 dB Max.
 Voltage Rating _____ 200 Volts Max.
 Operating Temp. Range _____ -65°C to +125°C

Mechanical:

TNC Connectors* _____ Passivated Stainless Steel
Mates with MIL-STD-348
 Conductors _____ Gold Plated Beryllium Copper
 Housings:
 Inner Only Blocks _____ Passivated Stainless Steel
 Outer and Inner/Outer Blocks _____ High Temperature Plastic



*TNC Connectors are Made-Free up to 18 GHz

Model Shown: **8070**

TABLE					
MODEL NUMBER	BLOCK TYPE	CONN. CONFIG.	WEIGHT GRAMS MAX.	DIAMETER	LENGTH
8070	INNER ONLY	MALE/ FEMALE	48.6	∅.56 [14.2]	2.07 ±.03 [52.6 ±0.8]
8071	OUTER ONLY		36.4	∅.50 [12.7]	
8072	INNER- OUTER				
8073	INNER ONLY	FEMALE/ FEMALE	38.1	∅.56 [14.2]	2.17 ±.03 [55.1±0.8]
8074	OUTER ONLY		25.9	∅.50 [12.7]	
8075	INNER- OUTER				
8076	INNER ONLY	MALE/ MALE	59.1	∅.56 [14.2]	1.98 ±.03 [50.3 ±0.8]
8077	OUTER ONLY		46.9	∅.50 [12.7]	
8078	INNER- OUTER				

Note: Dimensions in Brackets are Expressed in Millimeters and are for Reference Only.
 Design specifications are subject to change without notice.
 Contact factory for technical specifications before purchasing or use.